

MT4230TE

FEATURES

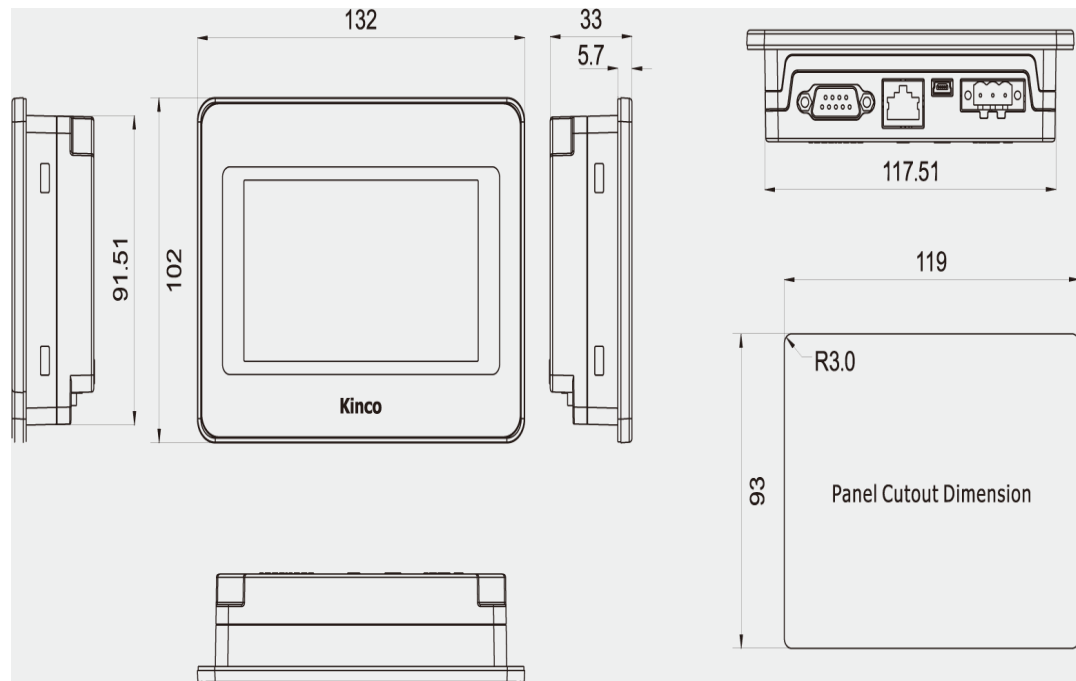
- 65,536 True Color TFT LCD
- 32-bit, 400 MHz RISC CPU
- 128 MB FLASH + 64 MB SDRAM
- 512 KB Recipe Memory, Record Data Easily
- Real-Time Clock, 2 Year Reserve Time when Powered Off
- Ethernet 10/100 Base-T
- 2 COM Ports, Supports Simultaneous Communication; RS232/RS422/RS48



DESCRIPTION

The MT4000 Series is a very powerful HMI product that will make your application soar. This HMI line comes with a 65,536 color display that gives your touch screen rich color and incomparable resolution. With the integration of a powerful 400 MHz 32-bit RISC processor, the MT4000 provides faster processing speeds. Each HMI supports simultaneous communications via its multiple serial ports, so that you may connect to numerous controllers. With the simple, convenient and powerful HMIware configuration software, the user can master their design method and create first-class programs efficiently.

DIMENSIONS



L011583

Performance Specifications	
Display	4.3" TFT
Resolution	480 x 272 Pixels
Color	65,536 Colors
Backlight	LED
Brightness	250 cd/m ²
Backlight Life	50,000 Hrs
Touch Panel	4-Wire Precision Resistance Network
Processor	32-bit RISC CPU 400 MHz
Memory	128 MB FLASH, 64 MB SDRAM
Expandable Memory	None
Recipe Memory & RTC	512 KB & RTC
Printer Port	Serial Port
Ethernet	10/100 Base-T
Program Download	MINI USB Slave/Serial Port
COM Port	COM0: RS232/RS485-2/RS485-4, COM2: RS232
Electrical Specifications	
Rated Power	2.4 W
Rated Voltage	24 VDC
Input Range	21~28 VDC
Power Down Allowed	< 3 ms
Insulation Resistance	> 50M Ω @ 500 VDC
Dielectric Strength Test	500 VAC 1 Minute
Structure Specifications	
Shell Color	Black
Shell Material	ABS
Dimensions (mm)	132 x 102 x 33
Cutout Size (mm)	119 x 93
Weight	0.21 kg
Environment Specifications	
Operating Temperature	0~45° C
Operating Humidity	10~90% Non-Condensing
Storage Temperature	-10~60° C
Storage Humidity	10~90% Non-Condensing
Shockproof Test	10~25 Hz (X,Y,Z Direction, 2G, 30 Minutes)
Cooling Method	Natural Air Cooling
Certifications	
Degree of Protection	IP65 (Front Panel)
CE Certification	Comply with EN61000-6-2:2005 and EN61000-6-4:2007 Standards